

FEATURES

- Low cost
- Off center compensated
- Protection class IP65

Material

- Anodized Aluminum

Cable

- Braided shield 4-wire round cable with PVC - jacket

Mounting

- Socket-head cap screw
- M3 x 0.5 (10.9)
- Tightening torque : 1.5Nm

Maximum Platform Size

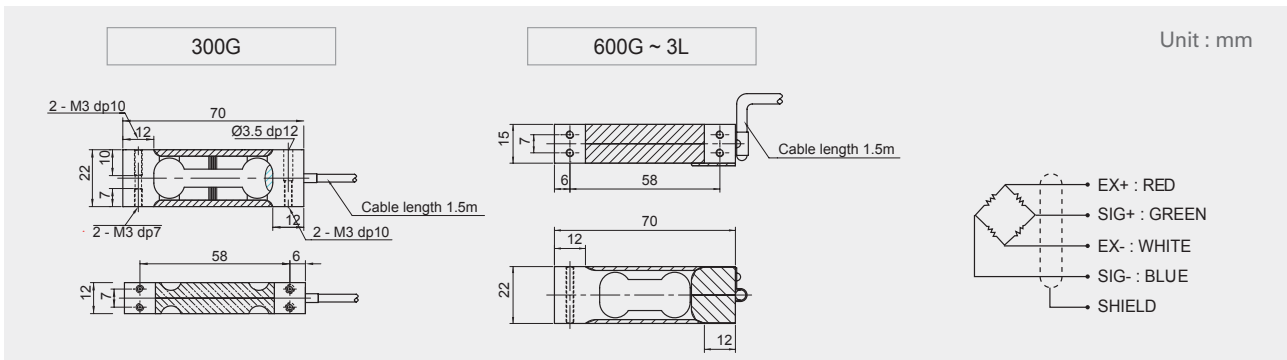
- 200 x 200 mm

Ordering Information

- CBCL -xxx L(G)

Capacity in gf, kgf

DIMENSIONS



SPECIFICATIONS

Max. Capacity	gf, kgf	300 gf, 600 gf, 1 kgf, 2 kgf, 3 kgf
Rated output	mV/V	1.0 ± 0.1
Zero balance	mV/V	0 ± 0.1
Combined error	%RO	0.03
Repeatability	%RO	0.01
Creep (30min.)	%RO	0.03
Temperature effect on	Zero value	%RO/10°C
	Output value	%RO/10°C
Excitation	Recommended	V
	Maximum	V
Resistance	Input	Ω
	Output	Ω
	Insulation	MΩ
Compensated temp. range	°C	-10 ~ +40
Operating temp. range	°C	-20 ~ +80